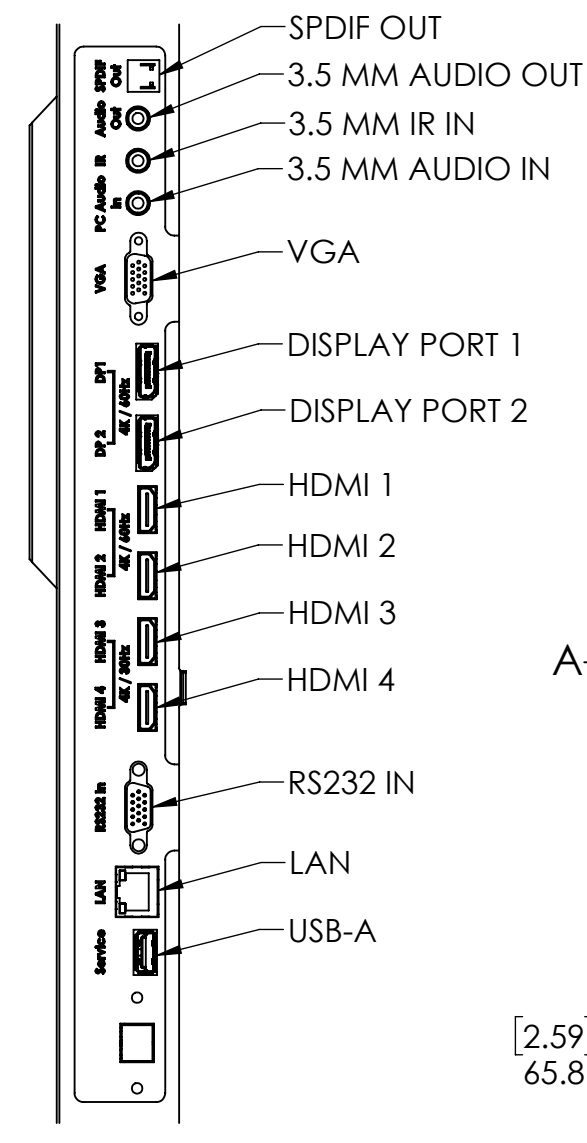
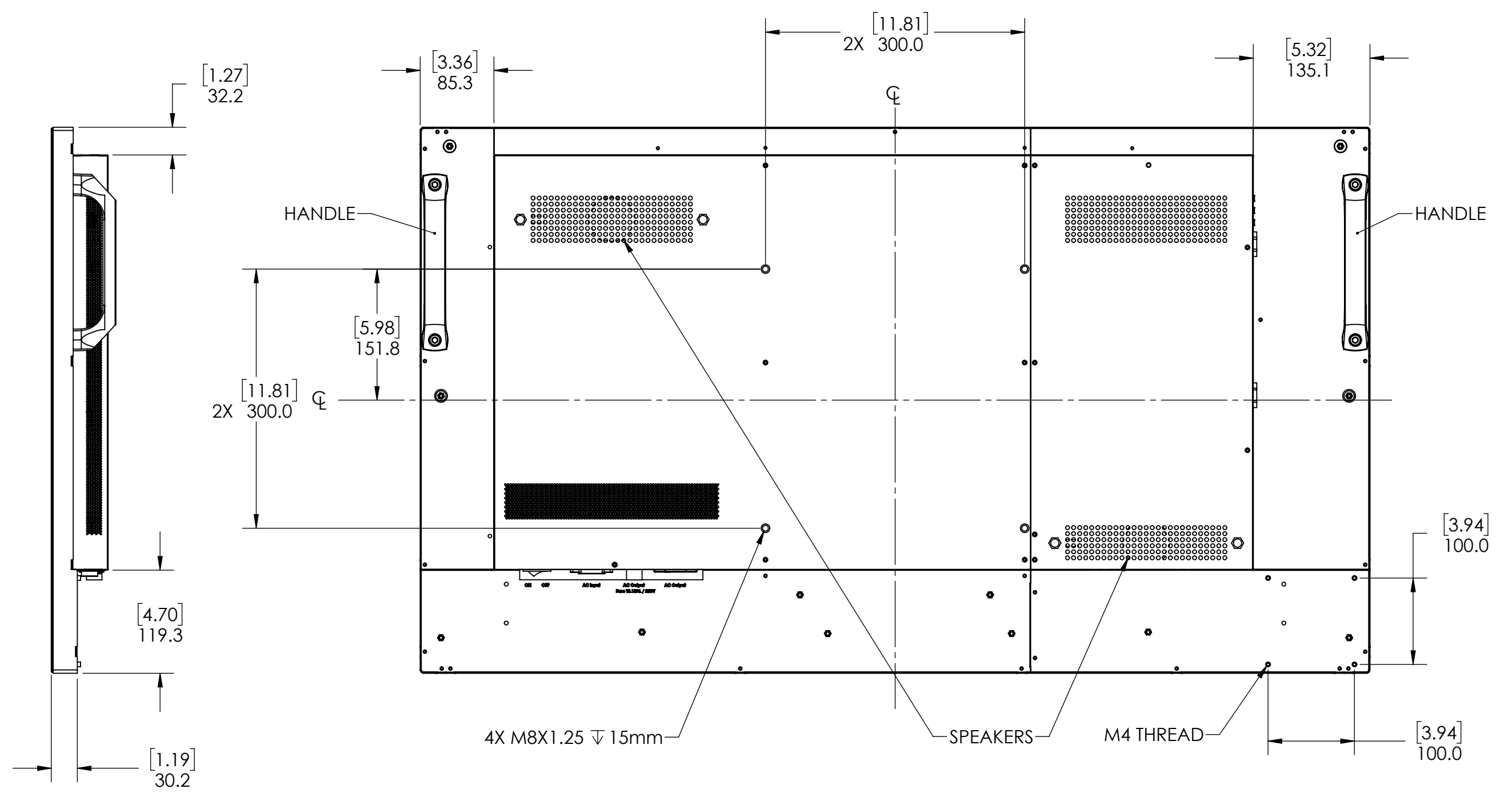
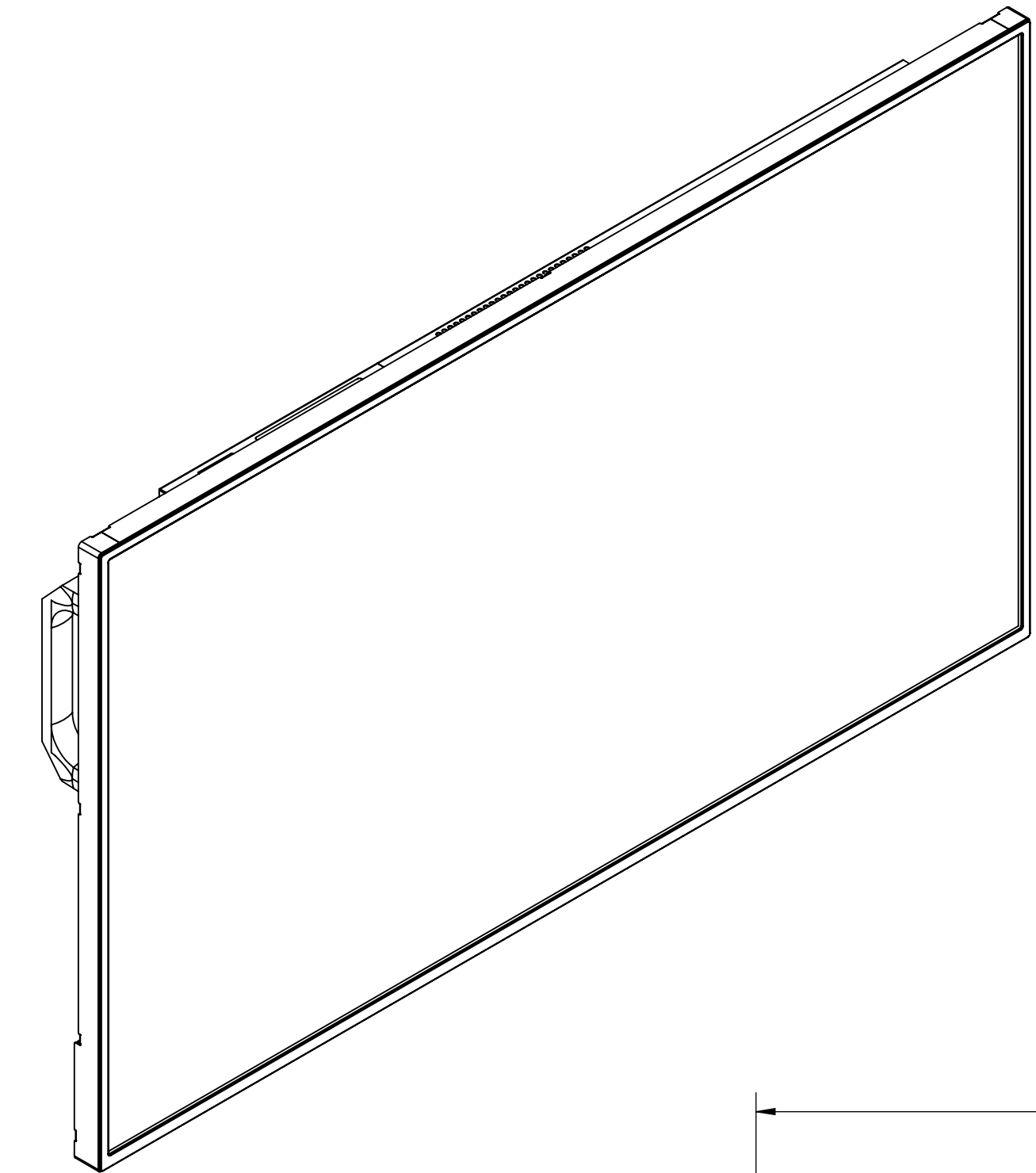
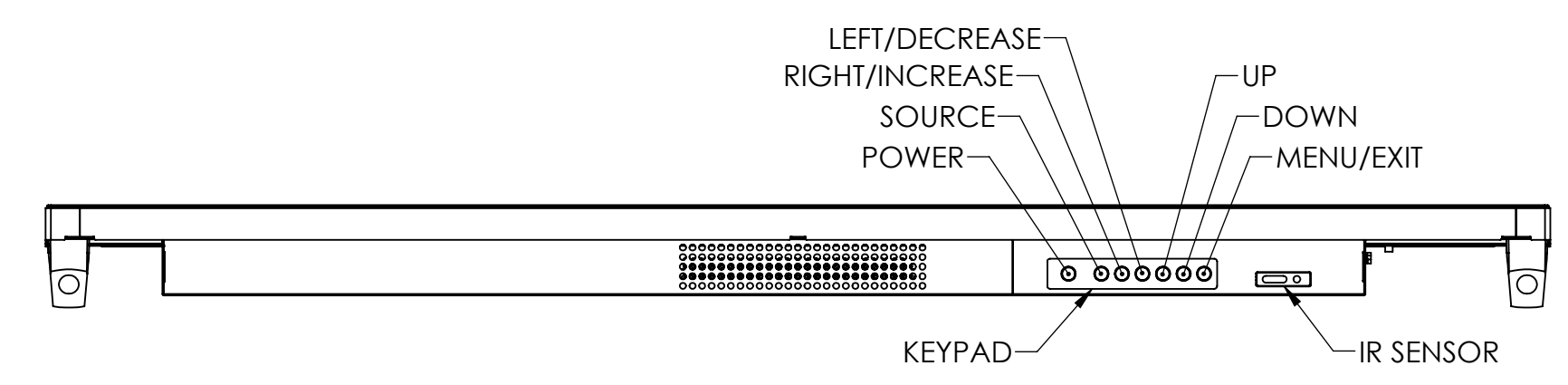
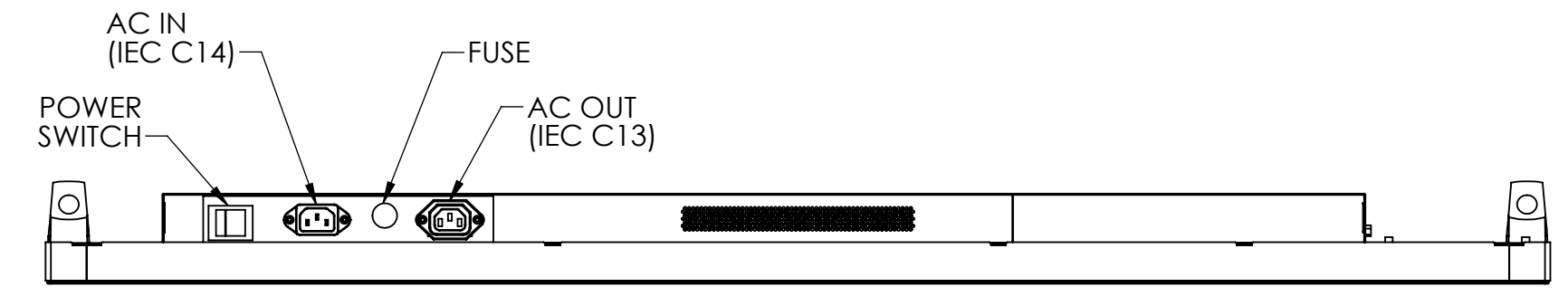
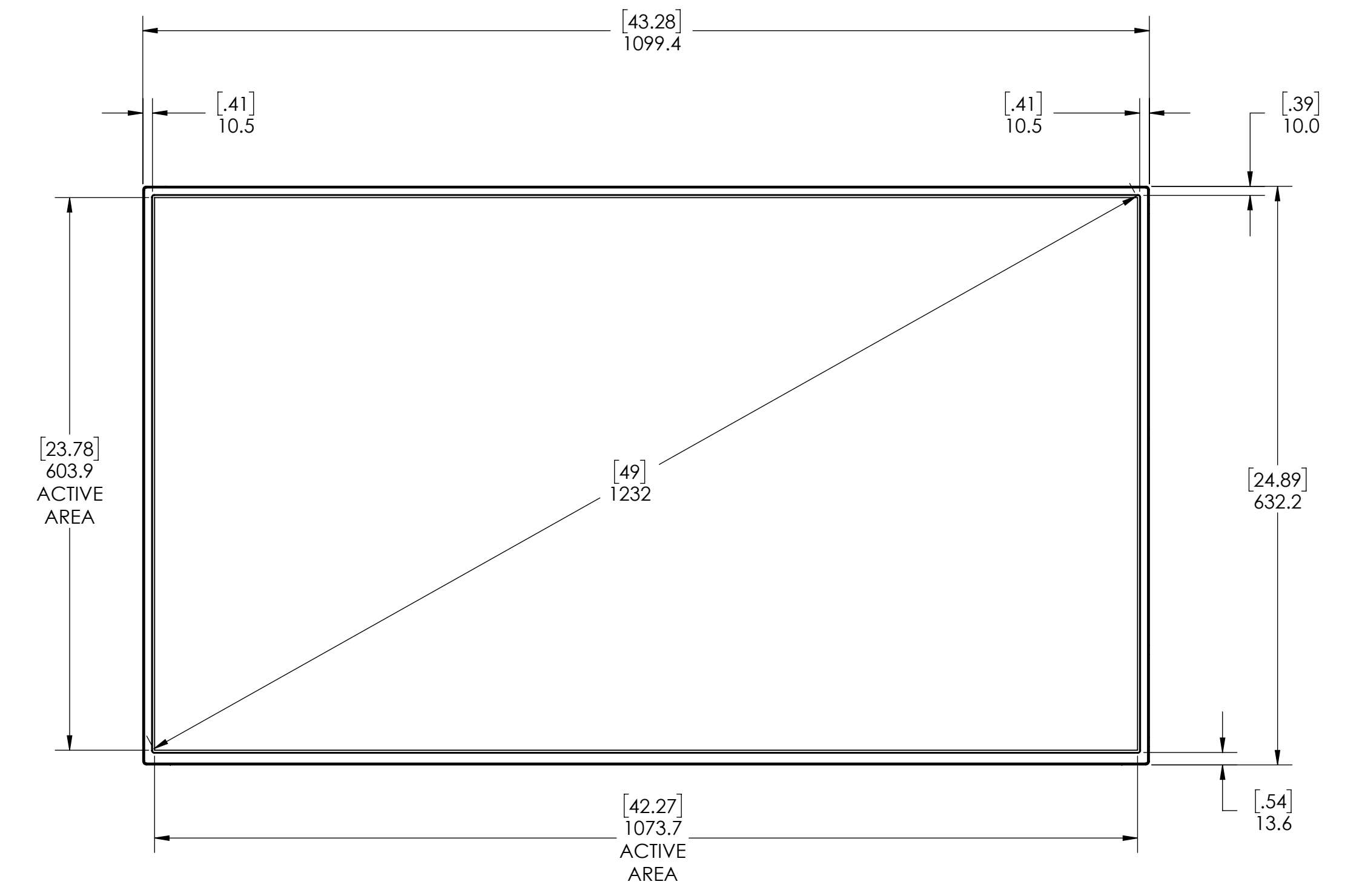


REVISION HISTORY					
ECO	ZONE	REV.	DESCRIPTION	DATE	APPR'D



DETAIL A
SCALE 2 : 5
HANDLE REMOVED
FOR CLARITY



1. SPECIFICATIONS SUBJECT TO CHANGE WITHOUT NOTICE.
 2. KEEP PERFORATION AREAS CLEAR FOR VENTILATION.
 3. ROTATE DISPLAY COUNTER CLOCKWISE WHEN LOOKING AT THE FRONT FOR PORTRAIT APPLICATIONS.
- NOTES: UNLESS OTHERWISE SPECIFIED.

UNLESS OTHERWISE SPECIFIED, DIMENSIONS ARE IN MILLIMETERS (INCHES)		ENGR BY 4/15/2022	 PLANAR SYSTEMS, INC. 1195 NE COMPTON DRIVE HILLSBORO, OR 97006 USA
TOLERANCES:		DRAWN BY JUG 4/19/2022	
X= ±1	XX= ±25	CHECKED BY 4/15/2022	TITLE URP49
.X= ±.5	∠= ±1°	USED ON	SIZE D
DIMENSIONING AND TOLERANCING PER ASME Y14.5M-1994		MATERIAL	PART NO 998-2887-00
THIRD ANGLE PROJECTION		FINISH	DRAWING NO URP49 OUTLINE
		SCALE 1:5	REV 1 OF 1
THIS DRAWING CONTAINS INFORMATION PROPRIETARY TO PLANAR SYSTEMS, INC. ANY REPRODUCTION IN PART OR WHOLE WITHOUT THE WRITTEN PERMISSION OF PLANAR SYSTEMS IS PROHIBITED. THIS DRAWING IS SUPPLIED FOR INFORMATION, IDENTIFICATION, ENGINEERING, EVALUATION, AND/OR INSPECTION PURPOSES ONLY AND MAY NOT BE USED AS BASIS FOR THE MANUFACTURING OF PRODUCTS OR THE FURNISHING OF SERVICES TO PLANAR SYSTEMS OR TO ANY THIRD PARTY UNLESS AUTHORIZED IN WRITING BY PLANAR SYSTEMS.		DO NOT SCALE SHEET	